

Rooftop Support Systems

a division of Eberl Iron Works, Inc.
128 Sycamore Steet
Buffalo, New York 14204



(888) 243-2669



RTS@eberliron.com



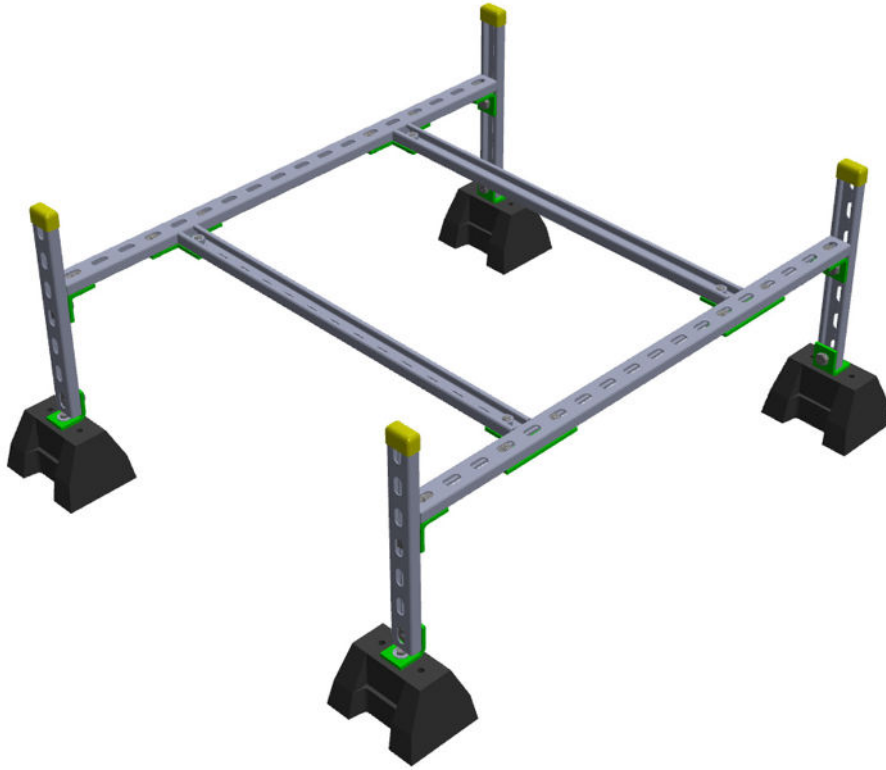
rooftopsupportsystems.com



RTSEQ-MUSTANG

PRODUCT SUBMITTAL SHEET

MUSTANG MINI SPLIT STAND EQUIPMENT SUPPORT



Description

Non-penetrating condenser support consisting of bent and perforated square tubing, recycled rubber bases for safely supporting HVAC units.

Installation

1. Fasten one framing member between two base assemblies to create the first side of the unit
2. Repeat Step 1 to create the second side
3. Fasten the two cross-members between the two sides

Product Information

Clearance: Adjustable height 9" – 12"

Maximum Load Weight: 300 lbs

Framing: 1-5/8" x 13/16" slotted, 14 gauge strut channel

Framing Finish: Pre-Galvanized (ASTM 653)

Hardware Finish: Electro-Galvanized (ASTM B633)

Contractor:

Project:

