

Rooftop Support Systems

a division of Eberl Iron Works, Inc.
128 Sycamore Steet
Buffalo, New York 14204



(888) 243-2669



RTS@eberliron.com

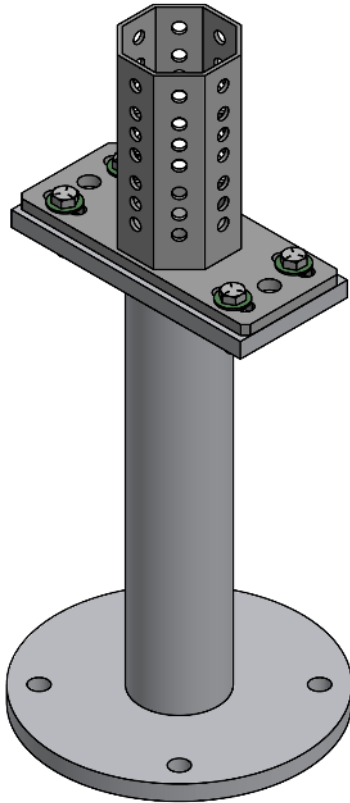


rooftopsupportsystems.com



RTSSPB80HG

PRODUCT SUBMITTAL SHEET



Installation

1. Place base on roof based on design layout
2. Cut roofing membrane and insulation to expose structure
3. Bolt base to structure using appropriate fastener
4. Waterproof roofing penetration with flashing or a pitch-pocket
5. Slide siFramo 80 beam component of support onto fitting
6. Secure with provided self forming screws (4) ea

Description

Direct Mount base for use in Heavy Duty H-Stands, Equipment supports, Crossover units, and Access Platforms. Compatible only with Sikla Framo 80 framing product

Product Information

Base Material: Solid Steel

Base Dimensions: 8 in Diameter x 18-1/2 in (or 30-1/2 in)

Clearance: Minimum mounting height of +/- 20 in above structure with 18-1/2 in version

Maximum Load Weight: Determined by roof loading capacity

Steel Component: 12 in (or 24 in) x 2-1/2 in solid round bard, welded to 1/2 in thick steel plates

Steel Component Finish: Hot Dip Galvanized (ASTM 123)

Hardware Finish: Electro-Galvanized (ASTM B633) or 304 Stainless Steel

Spacing:

Horizontal support spacing according to pipe specification, or horizontal pipe support spacing according to applicable building code. Do not exceed manufacturer's suggested spacing of 8-foot centers as loading permits.

Quantity:

Contractor:

Project:

