

## Rooftop Support Systems

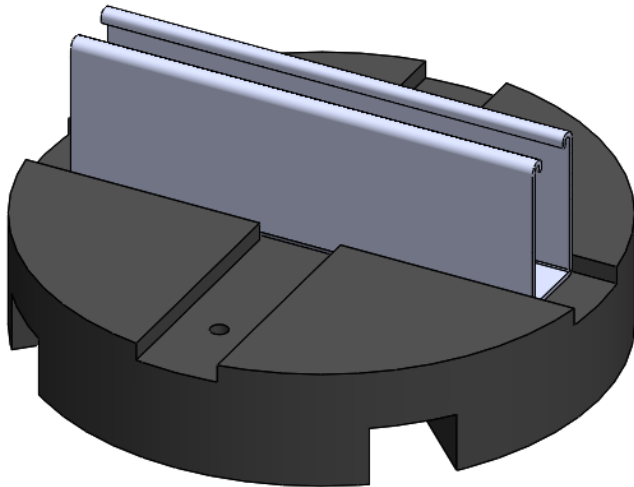
a division of Eberl Iron Works, Inc.  
128 Sycamore Steet  
Buffalo, New York 14204

(888) 243-2669  
RTS@eberliron.com  
rooftopsupportsystems.com



# RTSPUC5

## PRODUCT SUBMITTAL SHEET



### Description

Non-penetrating pipe support for roof mounted gas, conduit, solar, or other mechanical piping.

### Product Information

**Base Material:** Compression molded recycled rubber (97% recycled material)

**Base Weight:** 10 lbs

**Base Dimensions:** 12 in Diameter, 71.5 in<sup>2</sup> surface contact

**Pipe Clearance:** Fixed height of 5-1/4 in

**Maximum Load Weight:** 140 lbs at 2 PSI, 210 lbs at 3 PSI (per support)  
(Determined by roof loading capacity)

**Framing:** 10 in x 1-5/8 in x 3-1/4 in, 12 gauge strut channel

**Framing Finish:** Pre-Galvanized (ASTM 653), Hot Dip Galvanized (ASTM 123), or 304 Stainless Steel

**Hardware Finish:** Electro-Galvanized (ASTM B633) or 304 Stainless Steel

### Spacing:

Horizontal support spacing according to pipe specification, or horizontal pipe support spacing according to applicable building code. Do not exceed manufacturer's suggested spacing of 8-foot centers as loading permits.

### Installation

1. Place base on roof based on design layout
2. Run pipe accordingly
3. Connect pipe to base using pipe clamp or roller per application requirements

### NOTE\*

No adhesive is to be used with this product to attach to the roof

Quantity:

Contractor:

Project:

