

Rooftop Support Systems

a division of Eberl Iron Works, Inc.
128 Sycamore Steet
Buffalo, New York 14204



(888) 243-2669



RTS@eberliron.com



rooftopsupportsystems.com



RTSPUC1

PRODUCT SUBMITTAL SHEET

Description

Non-penetrating pipe support for roof mounted gas, conduit, solar, or other mechanical piping.

Product Information

Base Material: Compression molded recycled rubber (97% recycled material)

Base Weight: 10 lbs

Base Dimensions: 12 in Diameter, 71.5 in² surface contact

Pipe Clearance: Fixed height of 3-5/8 in

Maximum Load Weight: 140 lbs at 2 PSI, 210 lbs at 3 PSI (per support)
(Determined by roof loading capacity)

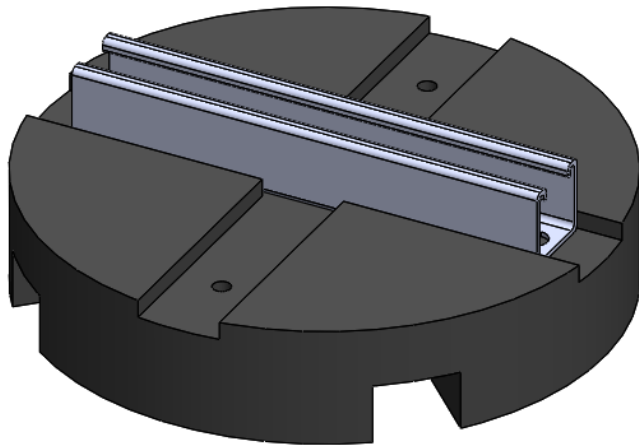
Framing: 10 in x 1-5/8 in x 1-5/8 in, 12 gauge strut channel

Framing Finish: Pre-Galvanized (ASTM 653), Hot Dip Galvanized (ASTM 123), or 304 Stainless Steel

Hardware Finish: Electro-Galvanized (ASTM B633) or 304 Stainless Steel

Spacing:

Horizontal support spacing according to pipe specification, or horizontal pipe support spacing according to applicable building code. Do not exceed manufacturer's suggested spacing of 8-foot centers as loading permits.



Installation

1. Place base on roof based on design layout
2. Run pipe accordingly
3. Connect pipe to base using pipe clamp or roller per application requirements

NOTE*

No adhesive is to be used with this product to attach to the roof

Quantity:

Contractor:

Project:

