

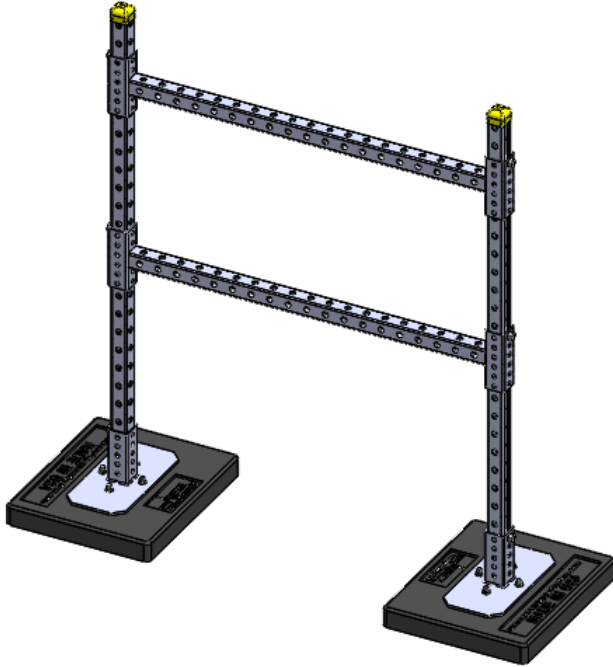
## Rooftop Support Systems

a division of Eberl Iron Works, Inc.  
128 Sycamore Steet  
Buffalo, New York 14204

(888) 243-2669  
RTS@eberliron.com  
rooftopsupportsystems.com



# RTSHXXX-D 18"-48"W PRODUCT SUBMITTAL SHEET



## Installation

1. Place base on roof based on design layout
2. Preload (1) 3/8 in channel nut and bolt into one of the top two holes on the base receiver
3. Insert upright components into bases with strut opening facing outward. Tighten bolt to 19 ft/lbs to secure
4. Preload (1) 3/8 in channel nut and bolt into one of the top two outsideholes in each of the cross brace receivers
5. Slide the cross brace over the end of the uprights. Be sure to orient the channel appropriately
6. Level cross brace at the correct height and affix to the uprights by tightening the bolts to 19ft/lbs
7. Install the snap pins through the uprights within 6 in of the bottom of the cross brace receiver
8. Install yellow caps on the tops of the uprights

Height	Width	Quantity

## Description

Non-penetrating and adjustable H-Stand support product consisting of strut channel framing and recycled rubber bases for safely supporting duct, cable tray, and/or pipe above the roof.

## Product Information

**Compatible Bases:** RTSF21 or RTSF30

**Clearance:** Adjustable height above +/- 12 in

**Maximum Load Weight:** See correspondiing base submittal (Determined by roof loading capacity)

**Framing Finish:** Pre-Galvanized (G90), Hot Dip Galvanized (ASTM 123), or 304 Stainless Steel

**Load Bearing Cross Brace:** 1-5/8 in x 1-5/8 in perforated strut channel

**Hardware Finish:** Electro-Galvanized (ASTM B633) or 304 Stainless Steel

**Spacing:** Horizontal support spacing according to specification, or horizontal support spacing according to applicable building code. Do not exceed manufacturer's suggested spacing of 8-foot centers as loading permits.

Contractor:

Project:

