

Rooftop Support Systems

a division of Eberl Iron Works, Inc.
128 Sycamore Steet
Buffalo, New York 14204



(888) 243-2669



RTS@eberliron.com

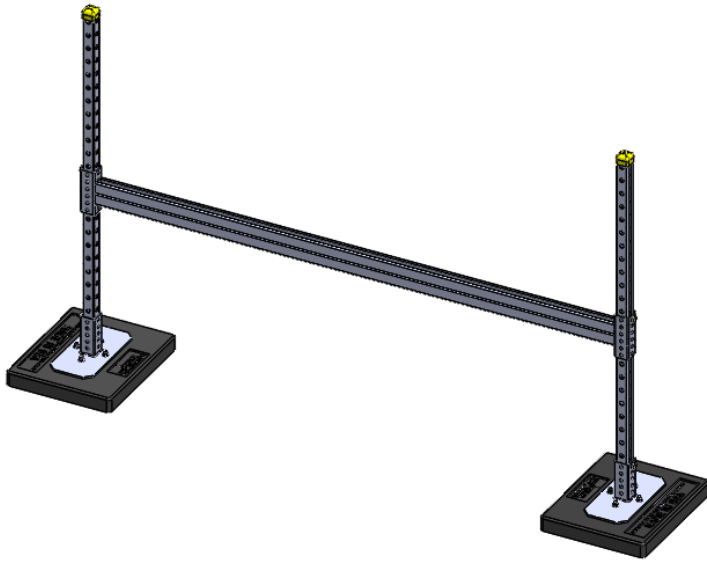


rooftopsupportsystems.com



RTSHXXX 54"+W

PRODUCT SUBMITTAL SHEET



Height	Width	Quantity

Description

Non-penetrating and adjustable H-Stand support product consisting of strut channel framing and recycled rubber bases for safely supporting duct, cable tray, and/or pipe above the roof.

Installation

1. Place base on roof based on design layout
2. Preload (1) 3/8 in channel nut and bolt into one of the top two holes on the base receiver
3. Insert upright components into bases with strut opening facing outward. Tighten bolt to 19 ft/lbs to secure
4. Preload (1) 3/8 in channel nut and bolt into one of the top two outsideholes in each of the cross brace receivers
5. Slide the cross brace over the end of the uprights. Be sure to orient the channel appropriately
6. Level cross brace at the correct height and affix to the uprights by tightening the bolts to 19ft/lbs
7. Install the snap pins through the uprights within 6 in of the bottom of the cross brace receiver
8. Install yellow caps on the tops of the uprights

Product Information

Compatible Bases: RTSF21 or RTSF30

Clearance: Adjustable height above +/- 12 in

Maximum Load Weight: See correspondiing base submittal (Determined by roof loading capacity)

Framing Finish: Pre-Galvanized (G90), Hot Dip Galvanized (ASTM 123), or 304 Stainless Steel

Load Bearing Cross Brace: 1-5/8 in x 3-1/4 in welded strut channel

Hardware Finish: Electro-Galvanized (ASTM B633) or 304 Stainless Steel

Spacing: Horizontal support spacing according to specification, or horizontal support spacing according to applicable building code. Do not exceed manufacturer's suggested spacing of 8-foot centers as loading permits.

Contractor:

Project:

