

## Rooftop Support Systems

a division of Eberl Iron Works, Inc.  
128 Sycamore Steet  
Buffalo, New York 14204



(888) 243-2669



RTS@eberliron.com

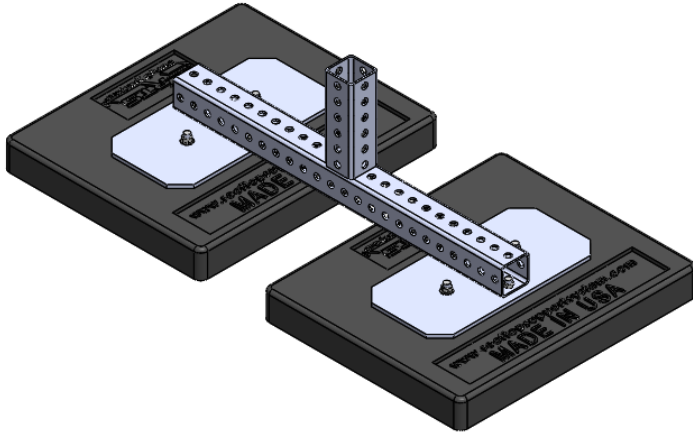


rooftopsupportsystems.com



# RTSF42

## PRODUCT SUBMITTAL SHEET



## Installation

1. Place base on roof based on design layout
2. Insert strut component of support into 2 in x 2 in receiver
3. Secure with provided 3/8 in channel nut and bolt (2) ea

## NOTE\*

No adhesive is to be used with this product to attach to the roof

## Description

Non-penetrating pipe support for use in Heavy Duty H-Stands, Equipment Supports, Crossover Units, and Access Platforms.

## Product Information

**Base Material:** Compression molded recycled rubber (97% recycled material)

**Base Weight:** 25 lbs each

**Base Dimensions:** 2 x 14-1/2 in x 17-1/2 in, 211-3/4 in<sup>2</sup> surface contact

**Pipe Clearance:** Minimum height of +/- 15 in

**Maximum Load Weight:** 847 lbs at 2 PSI, 1270 lbs at 3 PSI (per support)  
(Determined by roof loading capacity)

**Steel Component:** 2 in x 2 in, 12 gauge square steel tube welded to (2) 12 in x 6 in, 10 gauge steel plates

**Steel Component Finish:** Hot Dip Galvanized (ASTM 123)

**Hardware Finish:** Electro-Galvanized (ASTM B633) or 304 Stainless Steel

### Spacing:

Horizontal support spacing according to pipe specification, or horizontal pipe support spacing according to applicable building code. Do not exceed manufacturer's suggested spacing of 8-foot centers as loading permits.

Quantity:

Contractor:

Project:

