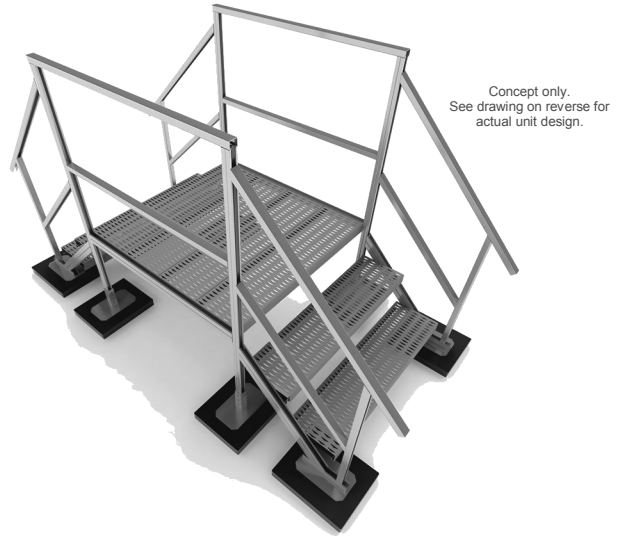


Contractor: _____

Project: _____

RTSCO-1 Stair Crossover Stair

Quantity: _____



Crossover stair units utilizing 12 ga. framing and non-penetrating recycled rubber bases to provide safe pathways over rooftop obstacles for maintenance traffic.

Compatible Bases: [RTSPUC1B]

Clearance: 17-1/2" from top of roof.

Maximum Load Weight: [36"W - 460lbs.] or [42"W - 400lbs.] or [48"W - 350lbs.].

Framing: Welded and single 1-5/8" x 1-5/8" 12ga strut channel.

Framing finish: [Pregalvanized] or [Hot Dip Galvanized] or [Stainless Steel].

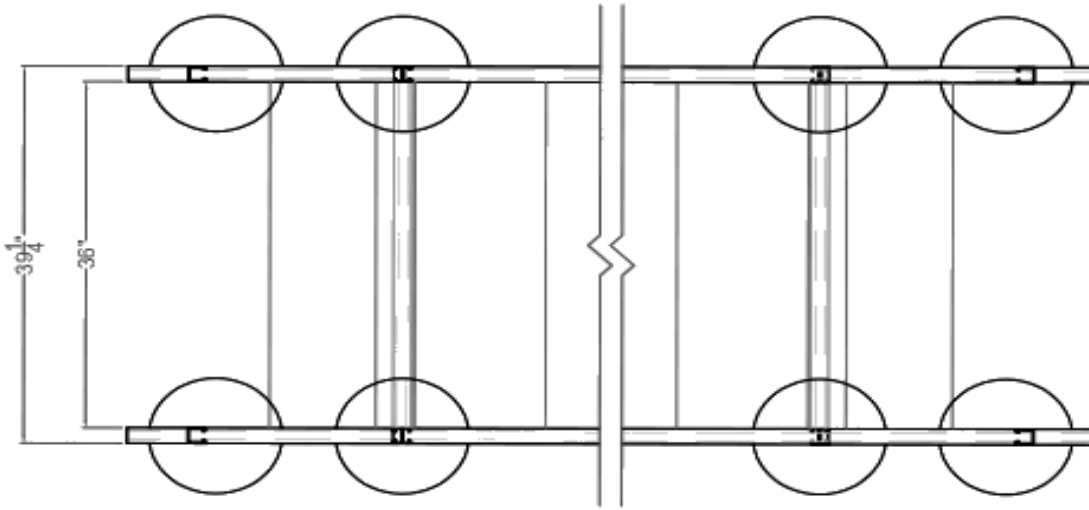
Grating: 11-3/4" and 9-1/2"W x 1-1/2"H 12 ga. anti-slip plank grating with 10 ga. carrier angles.

Grating finish: [Pregalvanized] or [Hot Dip Galvanized] or [Stainless Steel].

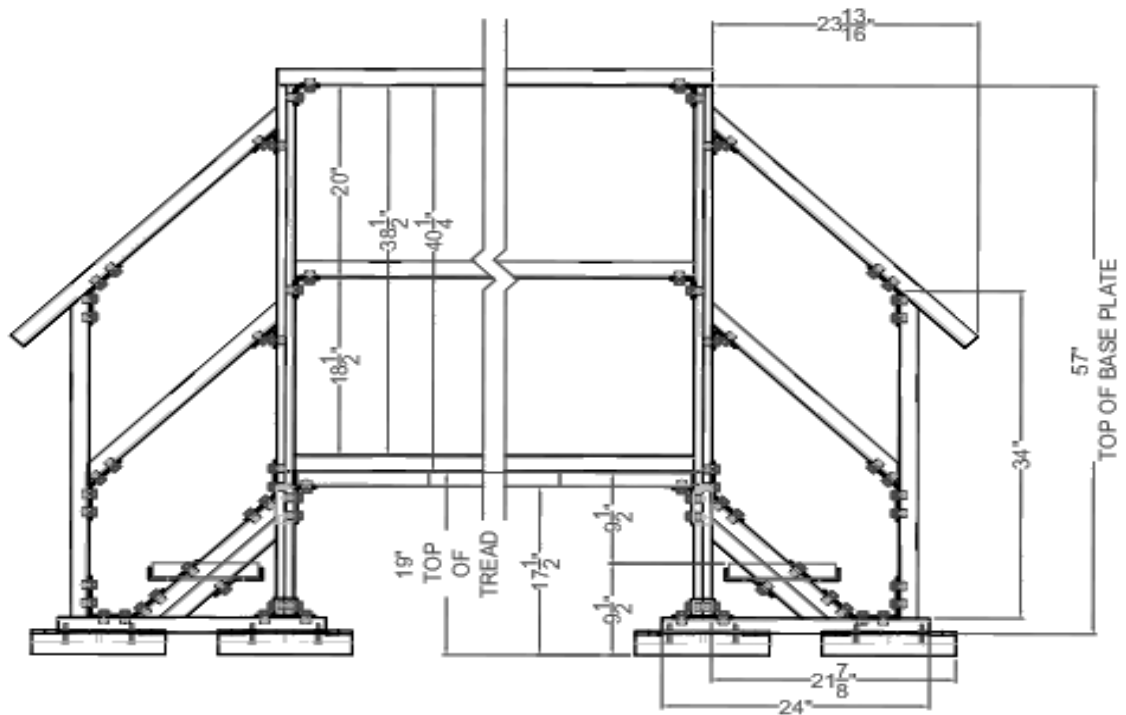
Hardware finish: [Electrogalvanized] or [Hot Dip Galvanized] or [Stainless Steel].

Installation Instructions:

1. Place bases on roof per design layout.
2. Insert welded 1-5/8" x 1-5/8" strut onto bases. Secure each with (1) 3/8" channel nut and bolt (19 ft/lbs). All other framing hardware is 1/2" tightened to 50ft/lbs.
3. Attach corner fittings to the vertical strut at the correct height for the platform.
4. Using 1-5/8" x 3-1/4" welded channel to connect the sides, and 1-5/8" x 1-5/8" strut to connect the ends of the platform .
5. Attach grating to the underside of the 1-5/8" x 3-1/4" strut through the carrier angles.
6. Connect beveled 1-5/8" x 3-1/4" welded strut to the columns for stair stringers using the 45° fitting and RTSSTRBASE at the base.
7. Attach the right and left stair brackets to the stringers hand tight. Install the 9-1/2" stair grating to the stair brackets and secure with 5/16" hardware. Level the stairs at the correct heights and tighten bolts.
8. Install railings on the stairs using the angle brackets, and on the platform using the 90° brackets.



PLAN VIEW



ELEVATION VIEW